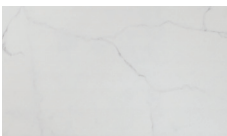


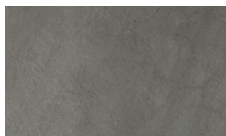


**ATTOL Round Side Table with
Ceramic Top Medium**
Ø 25 1/8" H 18 1/16"
24.7 lbs
Teak & ceramic

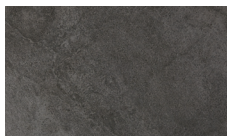
ATTOL: TABLE TOP



Ceramic White

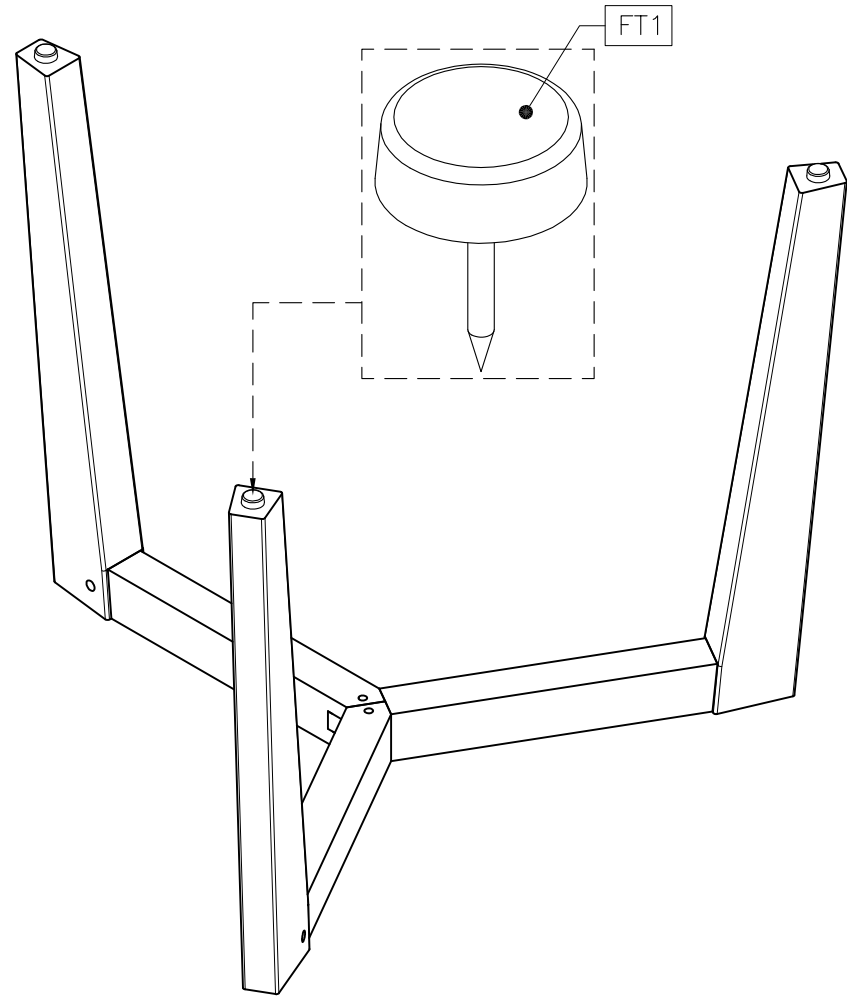
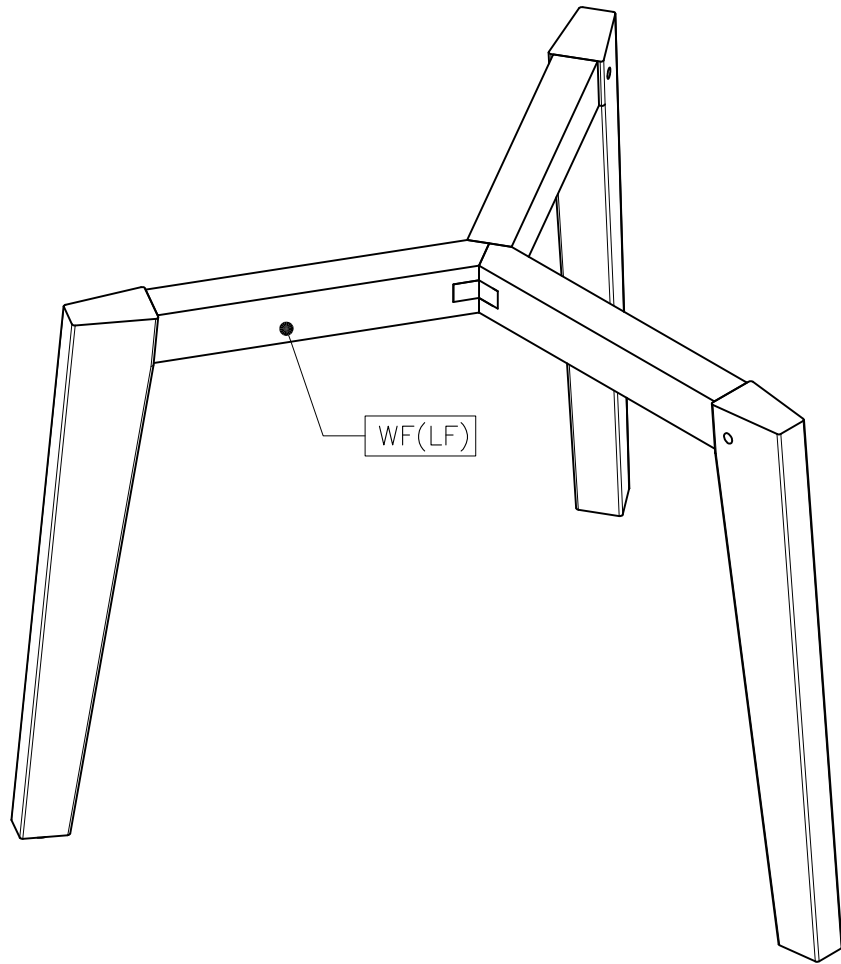


Ceramic Grey



Ceramic Anthracite

D7003+D8001



ISO VIEW

ISO

OASIQ

DWG.NO: FAE0A8-60B

TITLE : ISO VIEW

DIM EXT: 513.1x591.9x436 MM.

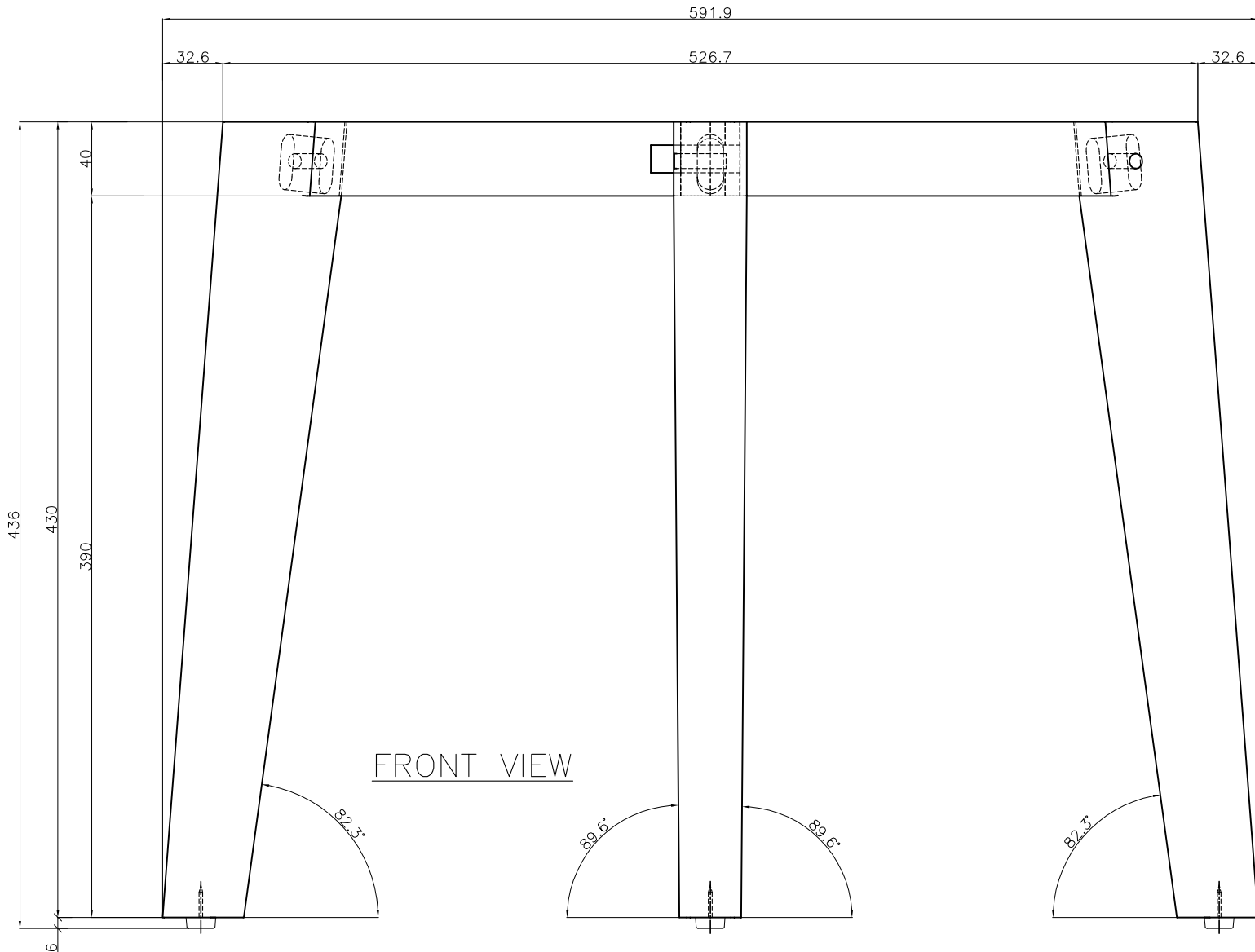
MATERIAL: TEAK

DRAWN BY : CHANAKAN

FINISH DATE : 19-12-15
BEGIN DATE : 12-06-15

GIG
SCALE : 1:2
GIG

P. 3



EF

OASIQ

DWG.NO: FAEOA8-60B

TITLE : FRONT VIEW

DIM EXT: 513.1x591.9x436 MM.

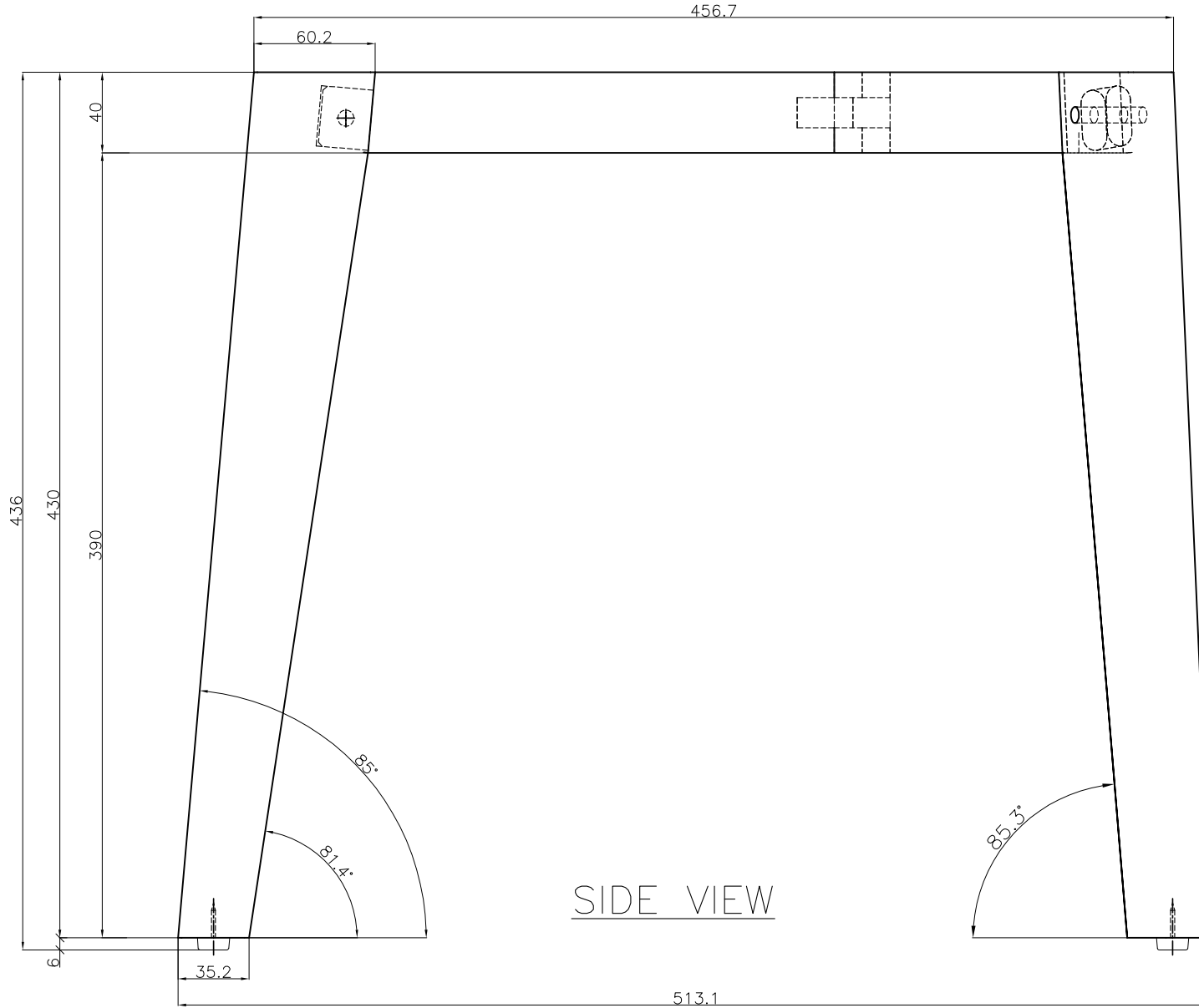
MATERIAL: TEAK

DRAWN BY : CHANAKAN

FINISH DATE : 19-12-15
 BEGIN DATE : 12-06-15

GIG SCALE : 1:1
 GIG

P. 5



ES

OASIQ

DWG.NO: FAEOA8-60B

TITLE : SIDE VIEW

DIM EXT: 513.1x591.9x436 MM.

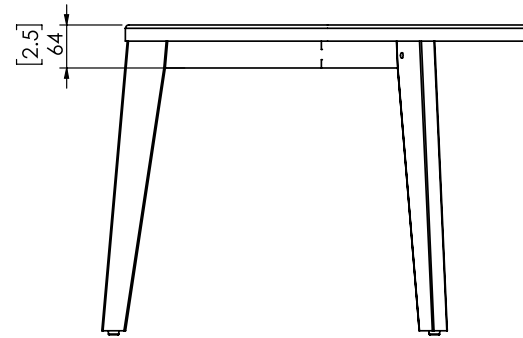
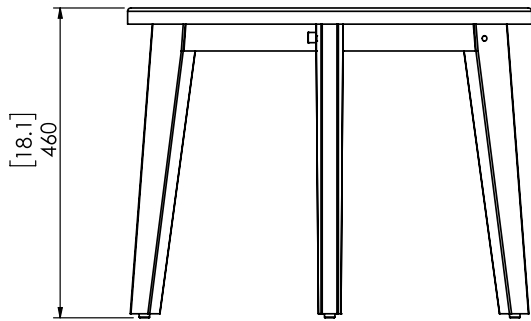
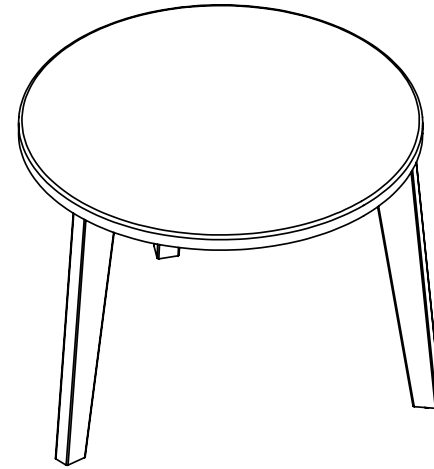
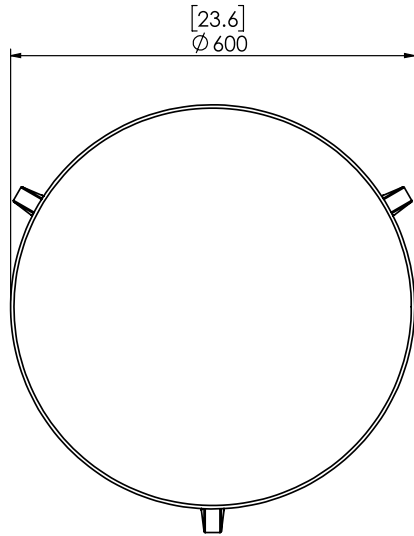
MATERIAL: TEAK

DRAWN BY : CHANAKAN

FINISH DATE : 19-12-15
BEGIN DATE : 12-06-15

GIG
SCALE : 1:1
GIG

P. 6



TEAK-CERAMIC SIDE TABLE 60X46CM

OASIQ

DWG.NO:

TITLE:

DIM EXT:

MATERIAL:

DRAWN BY:

FINISH DATE:

P.