



MARO 2 Seater Arm Left
W 64 1/2" D 37 1/2" H 24 3/4"
SH 10 1/4" CH 4 1/2" OSH 14 3/4"
66.9 lbs
Teak & rope

MARO: CUSHION FABRICS



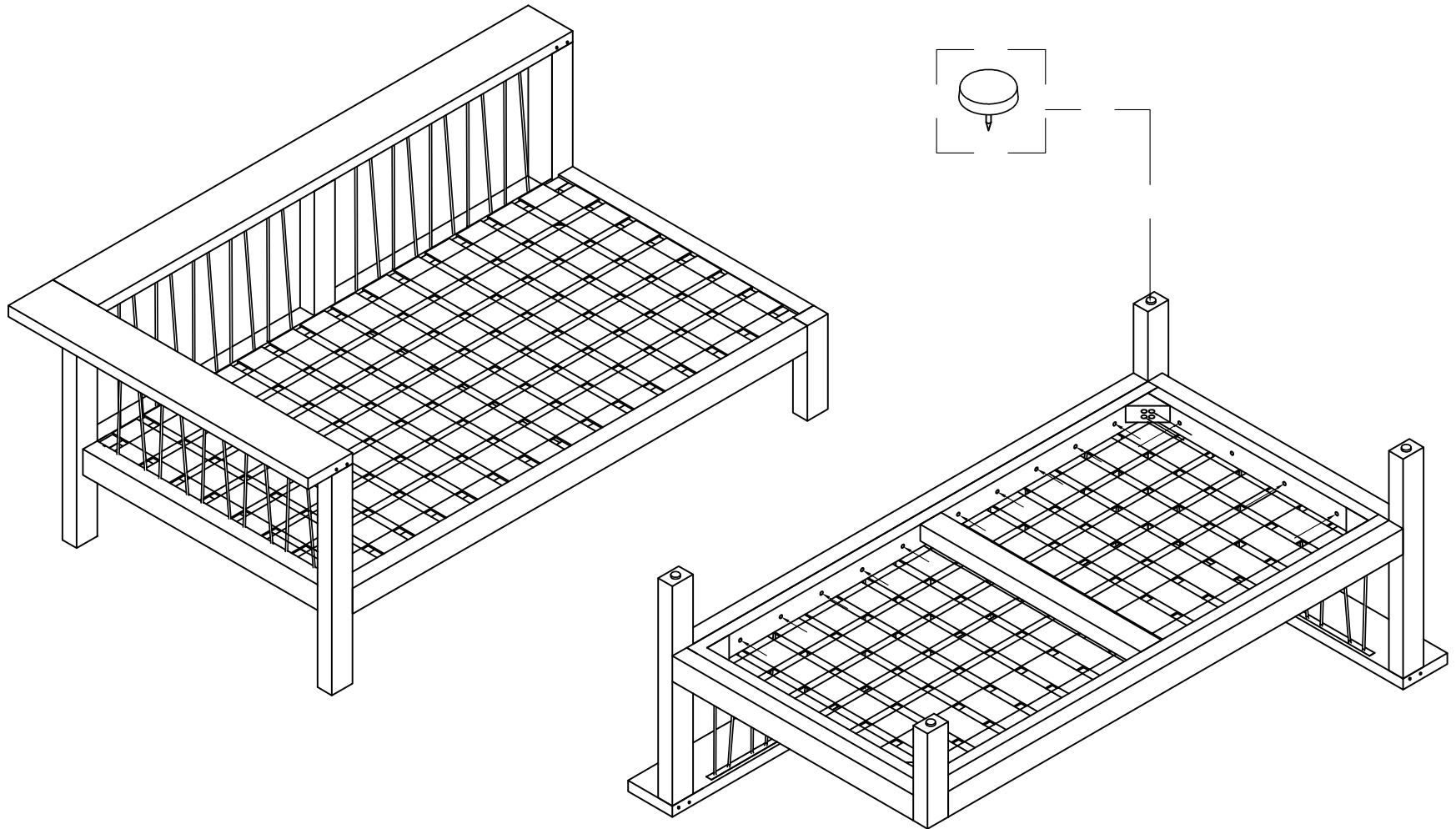
Canvas Natural



Charcoal Chine



Clay



ISO VIEW

OASIQ

DWG.NO: FAE0A10-4L

TITLE : ISO VIEW

DIM EXT: 945x1640x636 MM

MATERIAL: TEAK

DRAWN BY :BOY

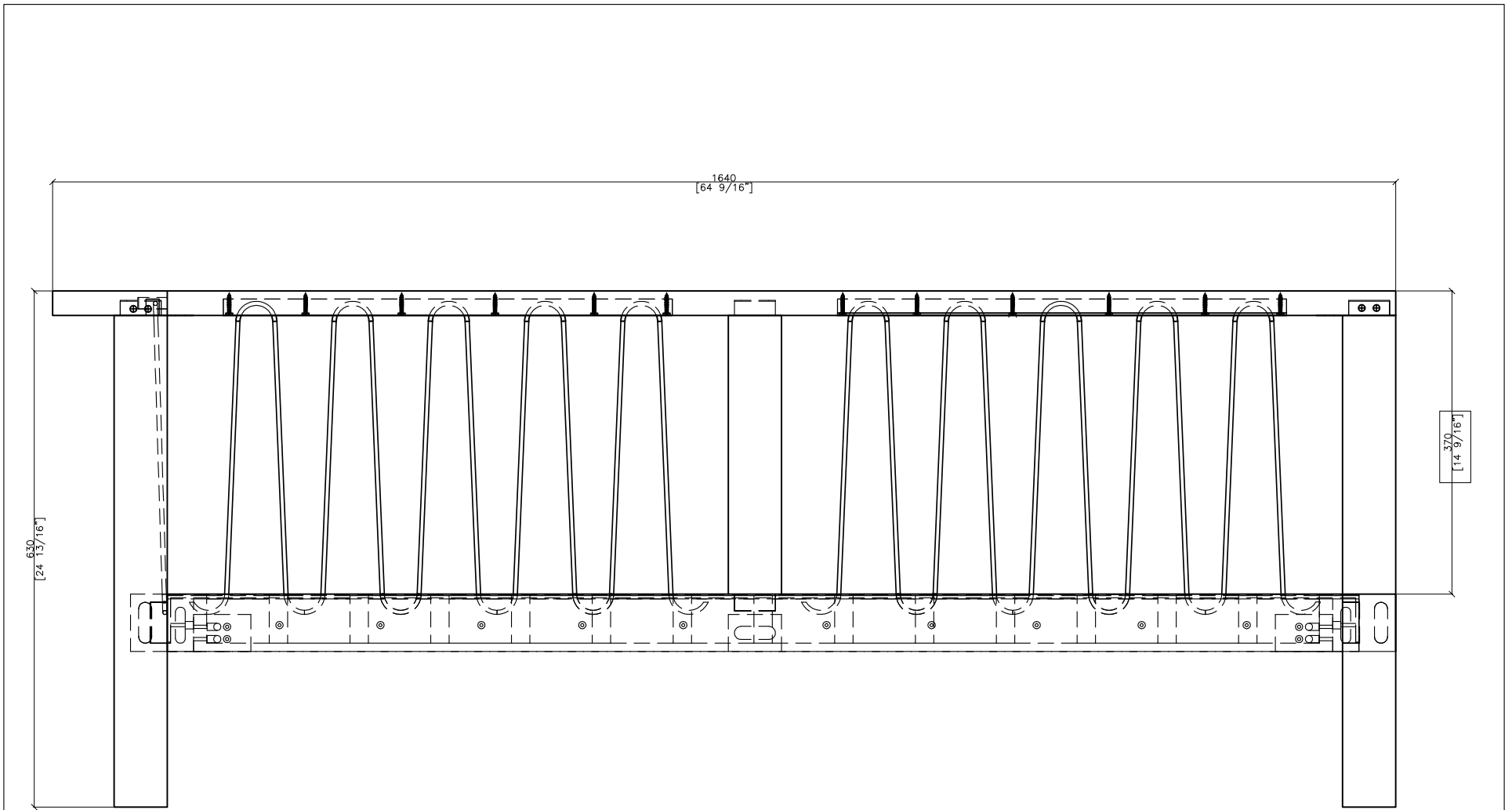
FINISH DATE : 28-10-16
 BEGIN DATE : 19-11-14

YUAN
 BOY

SCALE : 1:1

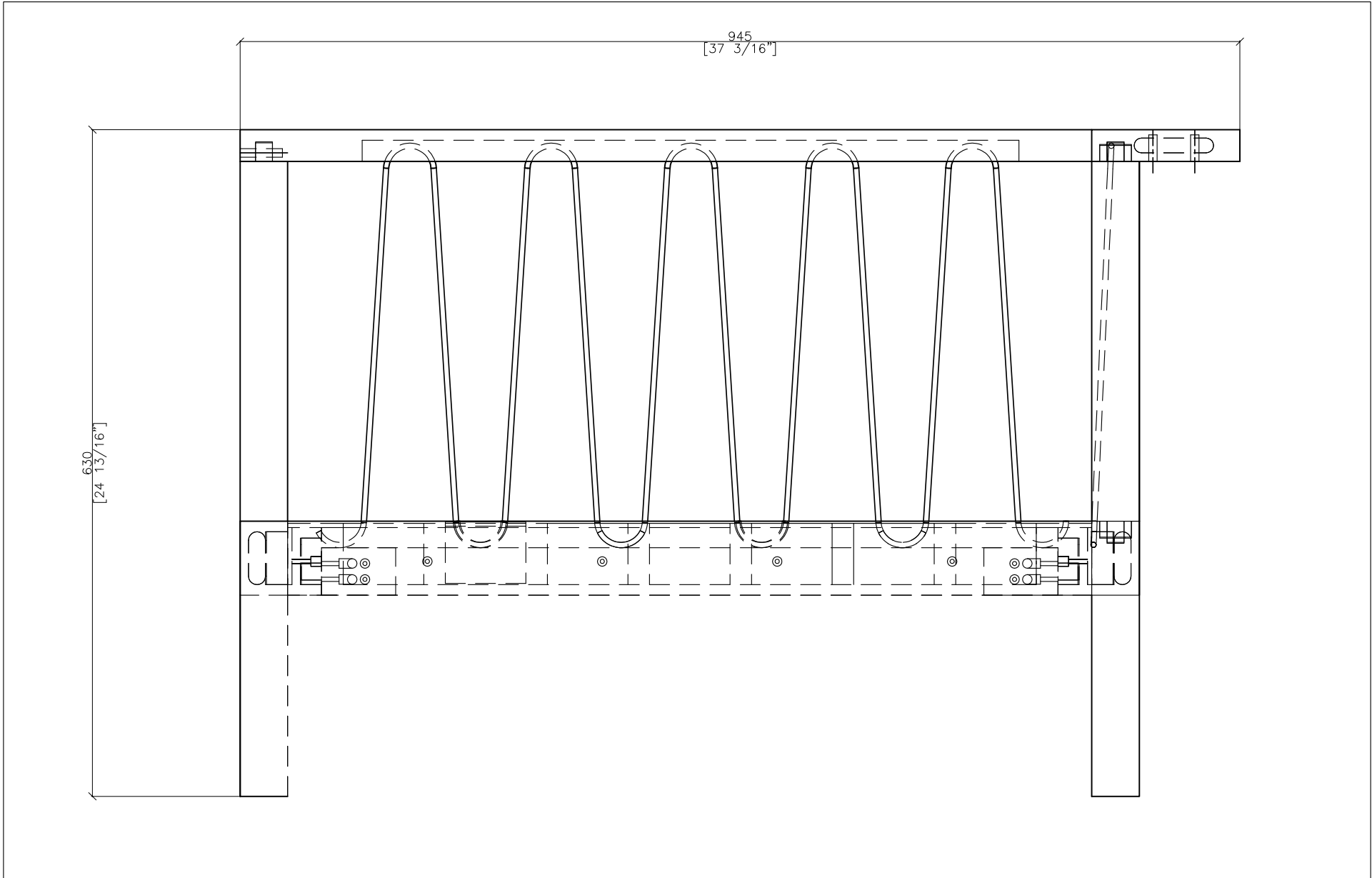
ISO

P. 3



FRONT VIEW

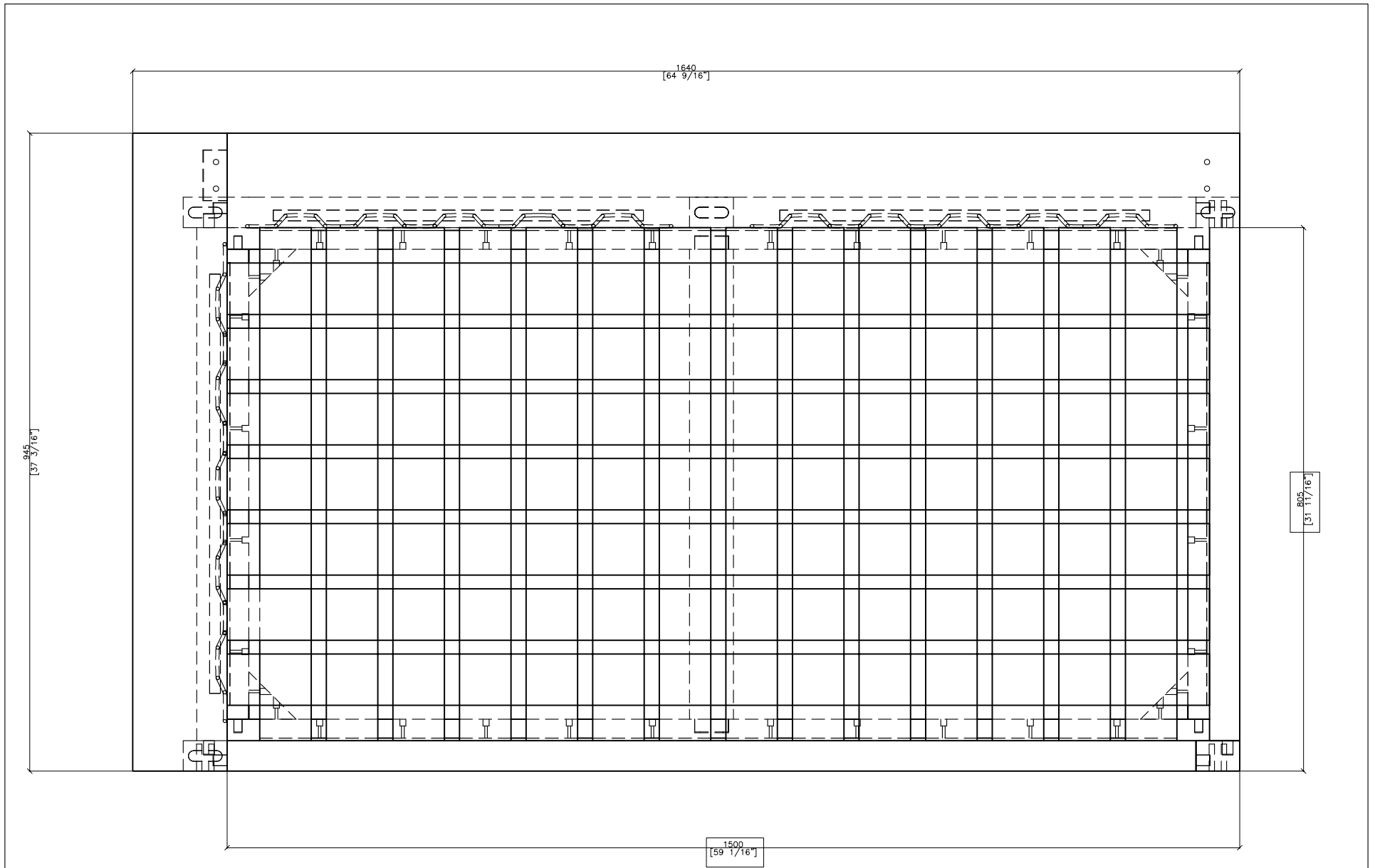
OASIQ	DWG.NO: FAE0A10-4L	TITLE :FRONT VIEW	DIM EXT: 945x1640x636 MM	MATERIAL: TEAK	DRAWN BY :BOY	FINISH DATE : 28-10-16	YUAN	SCALE : 1:1	EF
						BEGIN DATE : 19-11-14	BOY		



SIDE VIEW

ES

OASIQ	DWG.NO: FAE0A10-4L	TITLE : SIDE VIEW	DIM EXT: 945x1640x636 MM	MATERIAL: TEAK	DRAWN BY :BOY	FINISH DATE : 28-10-16	YUAN	SCALE : 1:1	P. 6
						BEGIN DATE : 19-11-14	BOY		



TOP VIEW

OASIQ	DWG.NO: FAE0A10-4L	TITLE : TOP VIEW	DIM EXT: 945x1640x636 MM	MATERIAL: TEAK	DRAWN BY : BOY	FINISH DATE : 28-10-16	YUAN	SCALE : 1:1	ET
						BEGIN DATE : 19-11-14	BOY		