



### YLAND Corner Seat

W 31 7/16" D 31 7/16" H 27 1/8"

SH 11" CH 4 1/2" OSH 15 1/2"

18 lbs

Powder coated aluminum & rope

### YLAND: FRAME



White

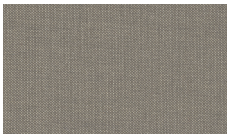


Anthracite

### YLAND: CUSHION FABRICS



Canvas Natural



Lantern Slate

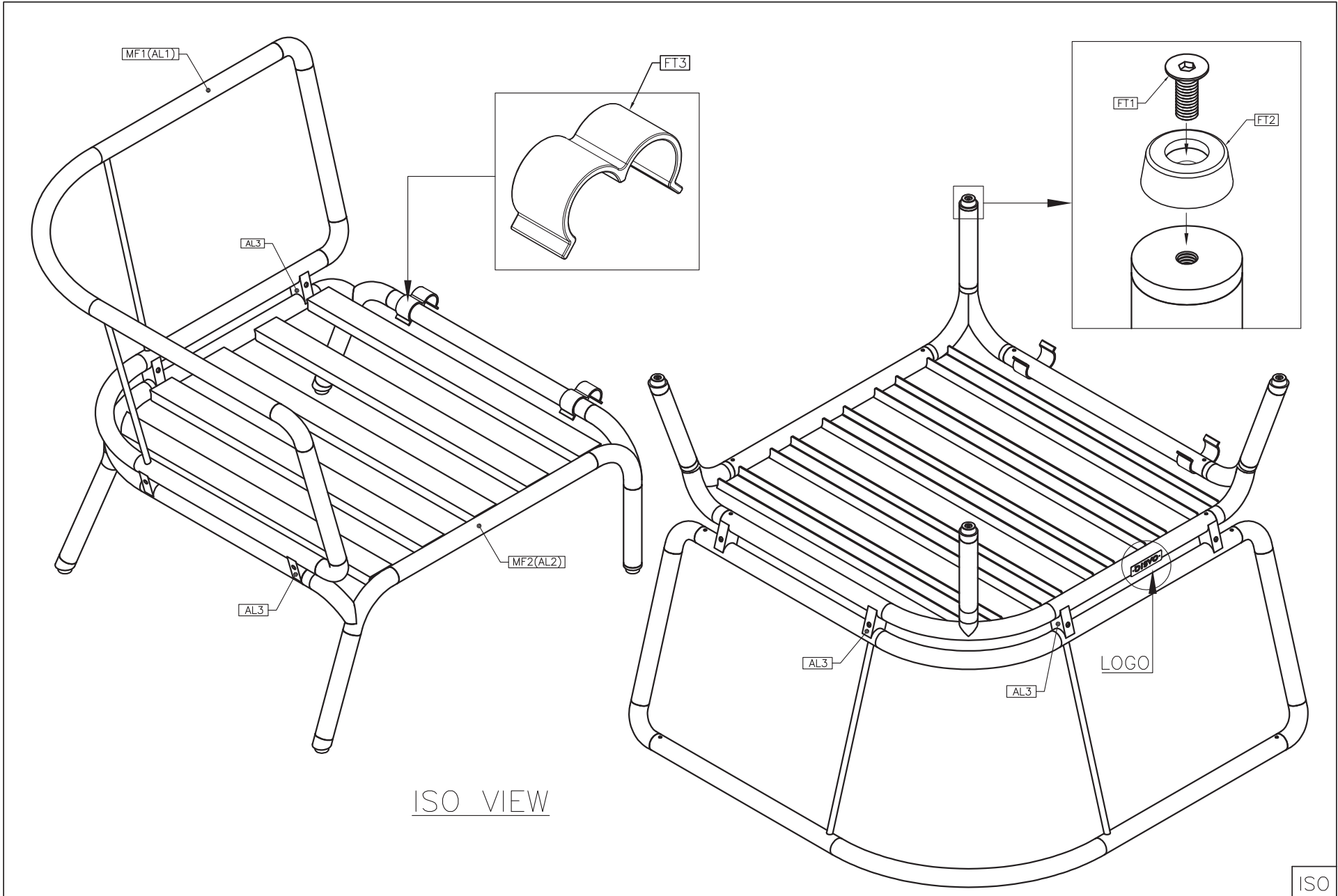
### YLAND: ROPE



Taupe



White



ISO VIEW

ISO

**OASIQ**

DWG.NO: FAE0A5-2K/KB

TITLE : ISO VIEW

DIM EXT: 797.8x797.8x688.5 MM.

MATERIAL: AL

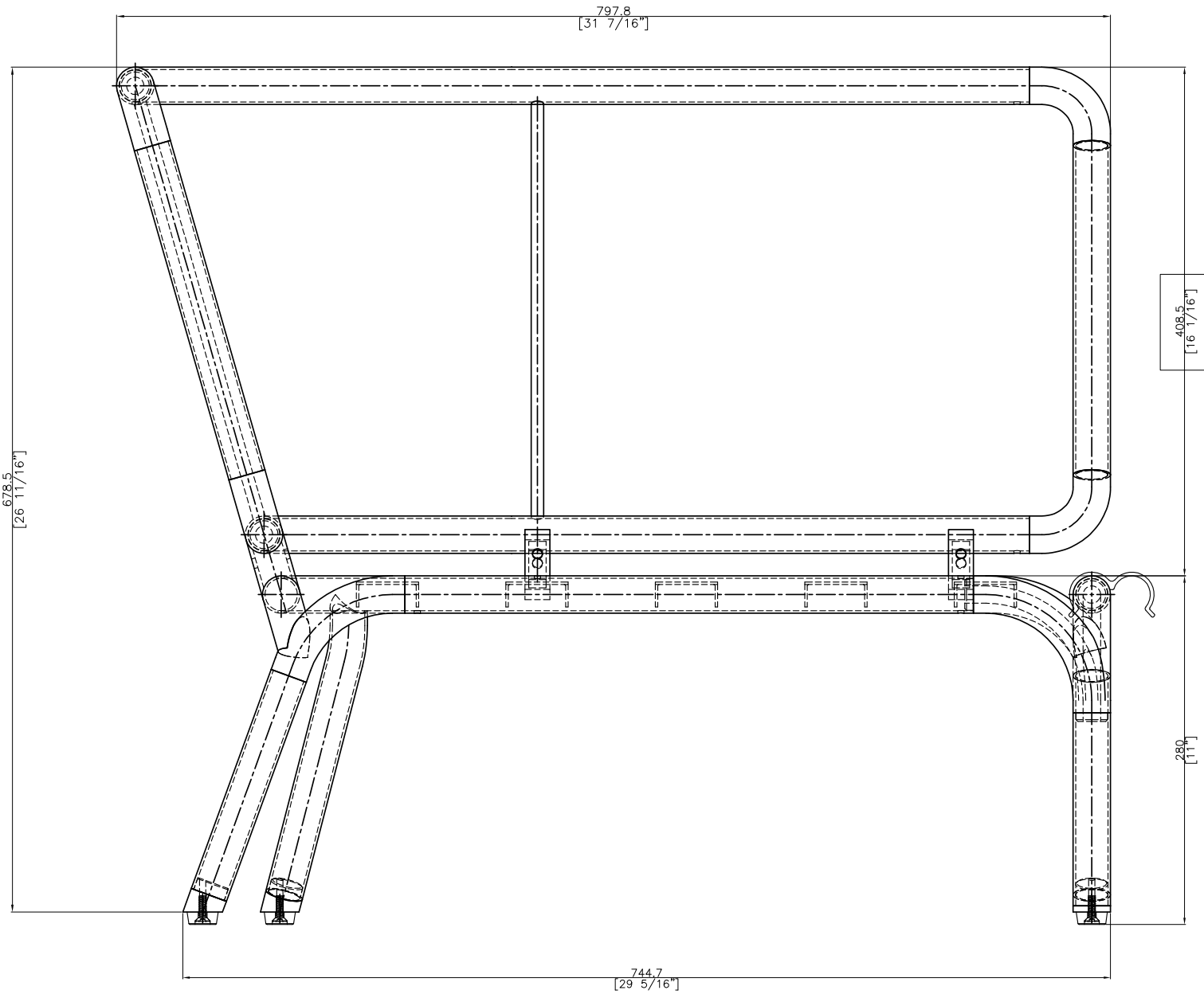
DRAWN BY : Mr.Khanti

FINISH DATE : 15-01-14  
 BEGIN DATE : 1-02-13

KHAN  
 KHAN

SCALE : 1:2

P. 2



FRONT VIEW

EF

**OASIQ**

DWG.NO: FAE0A5-2K/KB

TITLE : FRONT VIEW

DIM EXT: 797.8x797.8x688.5 MM.

MATERIAL: AL

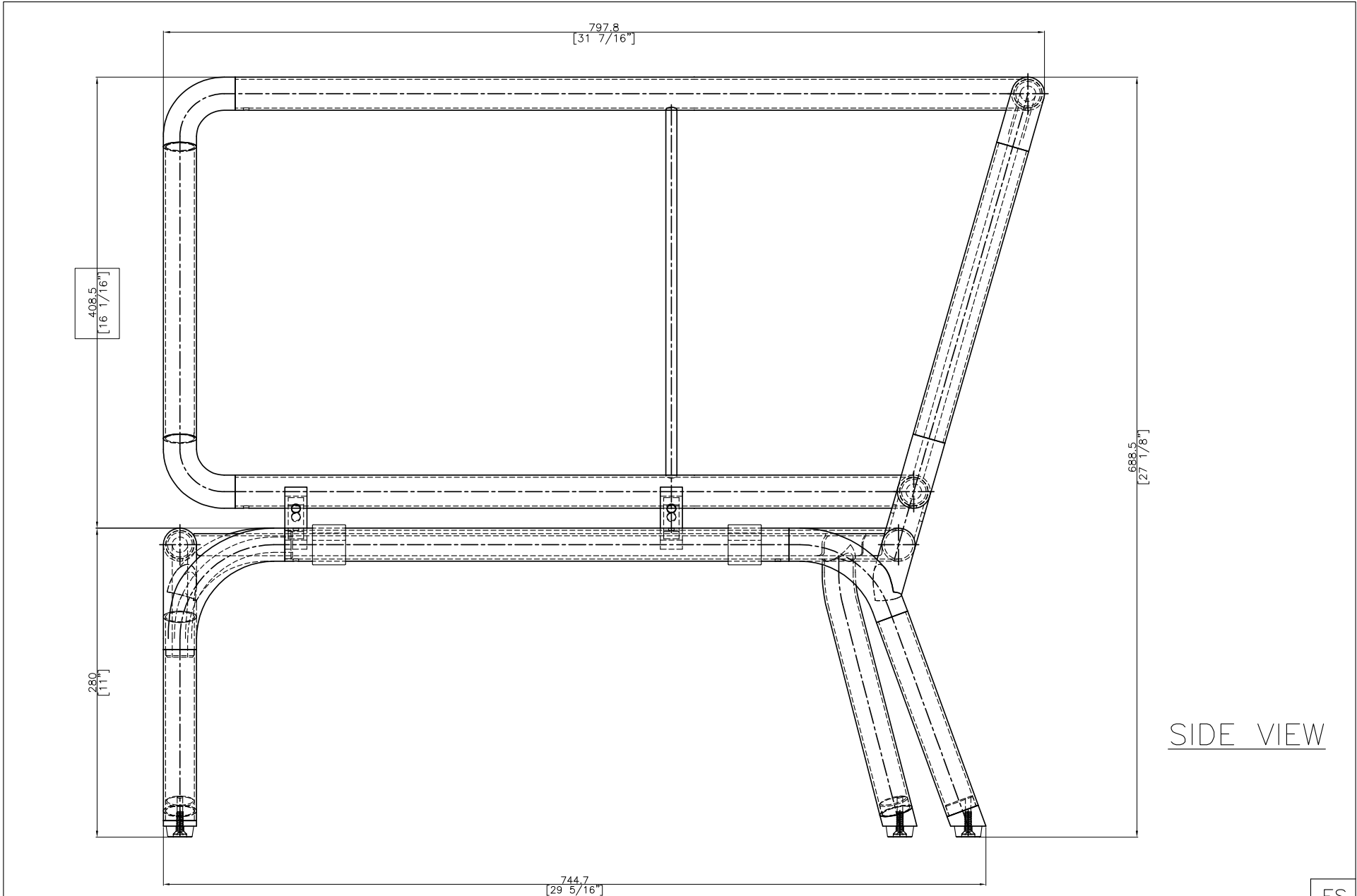
DRAWN BY : Mr.Khanti

FINISH DATE : 15-01-14  
 BEGIN DATE : 1-02-13

KHAN  
 KHAN

SCALE : 1:1  

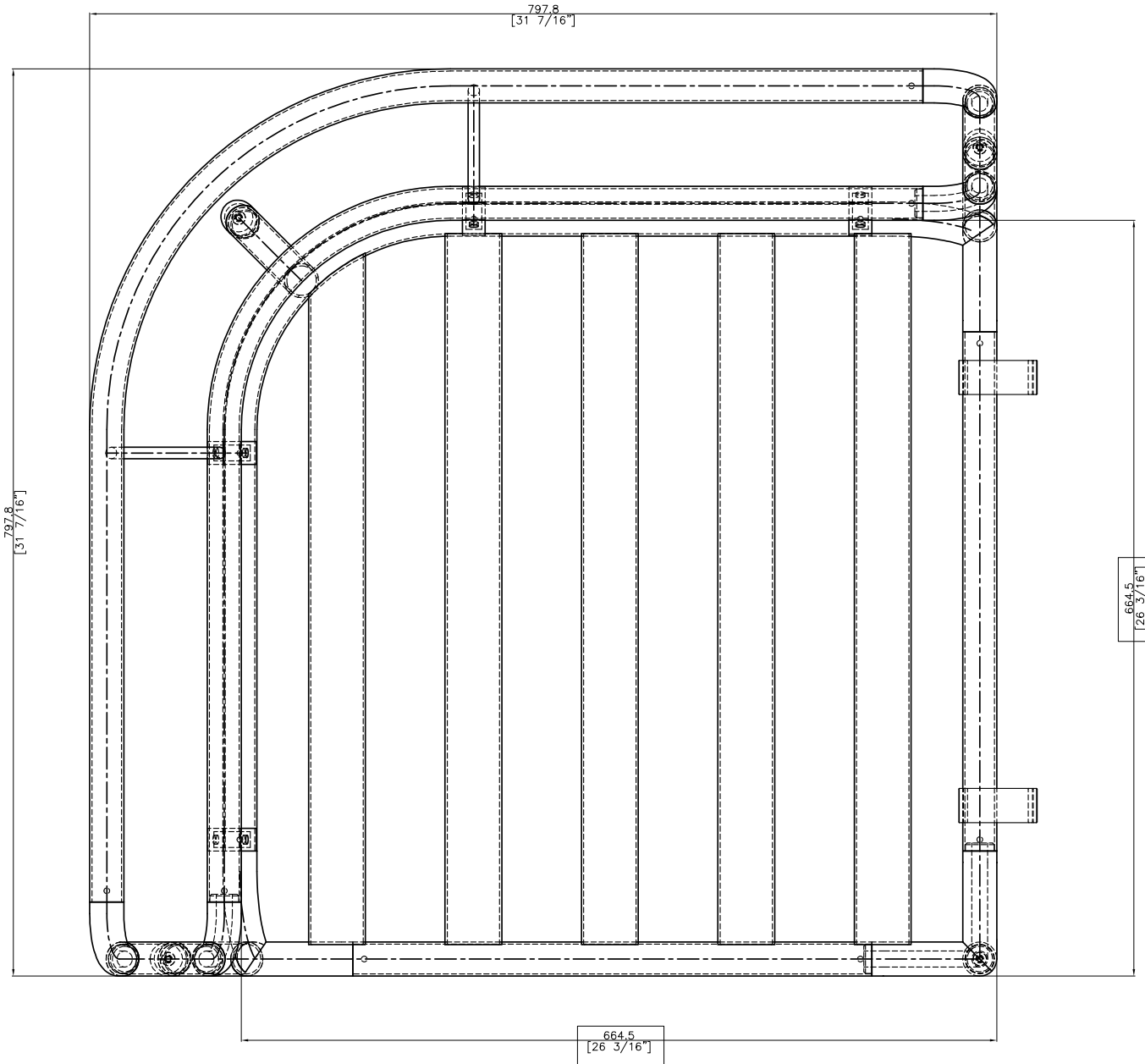

P. 4



SIDE VIEW

ES

<b>OASIQ</b>	DWG.NO: FAE0A5-2K/KB	TITLE : SIDE VIEW	DIM EXT: 797.8x797.8x688.5 MM.	MATERIAL: AL	DRAWN BY : Mr.Khanti	FINISH DATE : 15-01-14	KHAN	SCALE : 1:1	P. 5
						BEGIN DATE : 1-02-13	KHAN	⊕	



TOP VIEW

ET

**OASIQ**

DWG.NO: FAE0A5-2K/KB

TITLE : TOP VIEW

DIM EXT: 797.8x797.8x688.5 MM.

MATERIAL: AL

DRAWN BY : Mr.Khanti

FINISH DATE : 15-01-14  
 BEGIN DATE : 1-02-13

KHAN  
 KHAN

SCALE : 1:1

P. 3