



ATTOL Teak Side Table Medium

Ø 25 1/8" H 18 1/16"

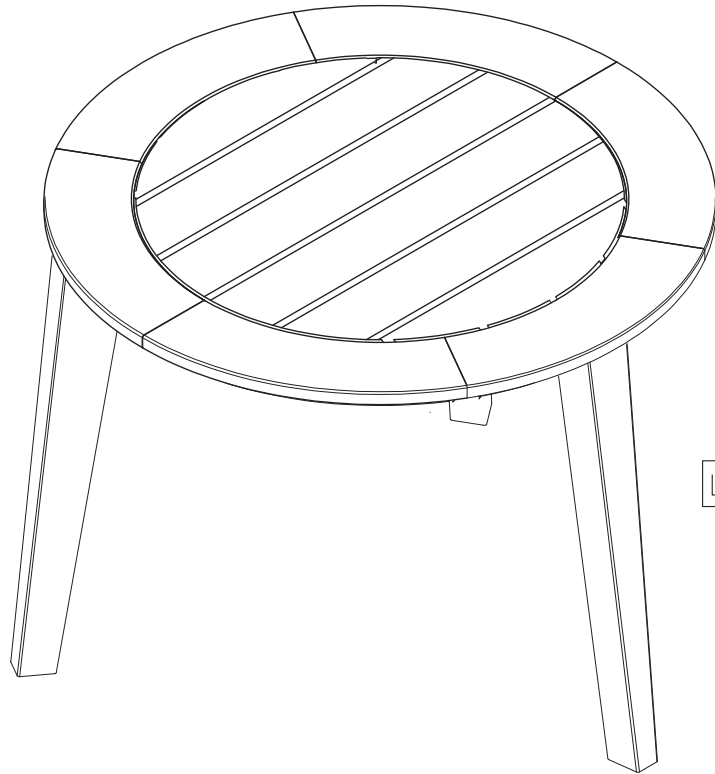
13.2 lbs

Teak

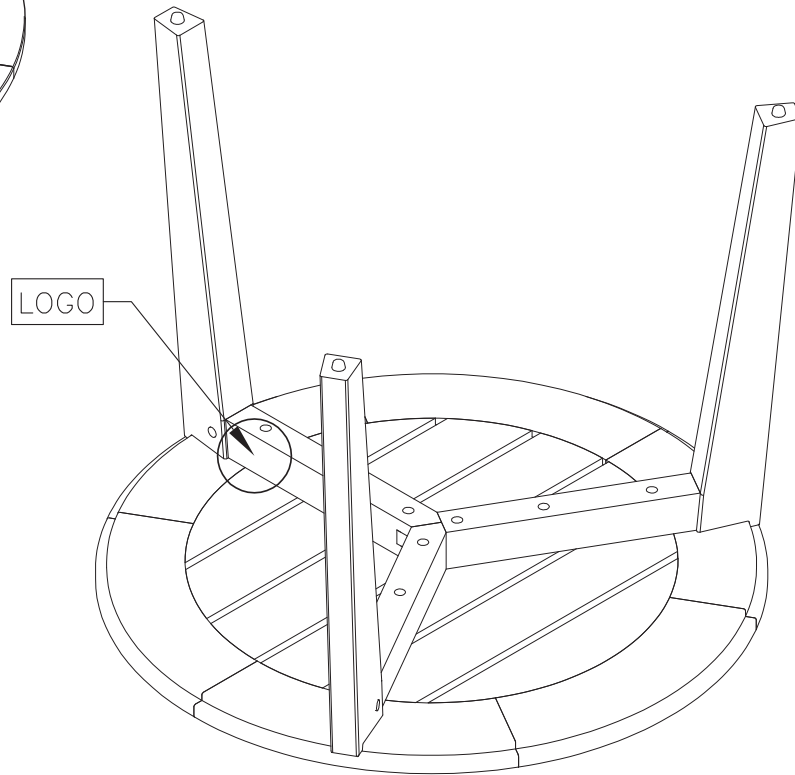
ATTOL: TABLE TOP

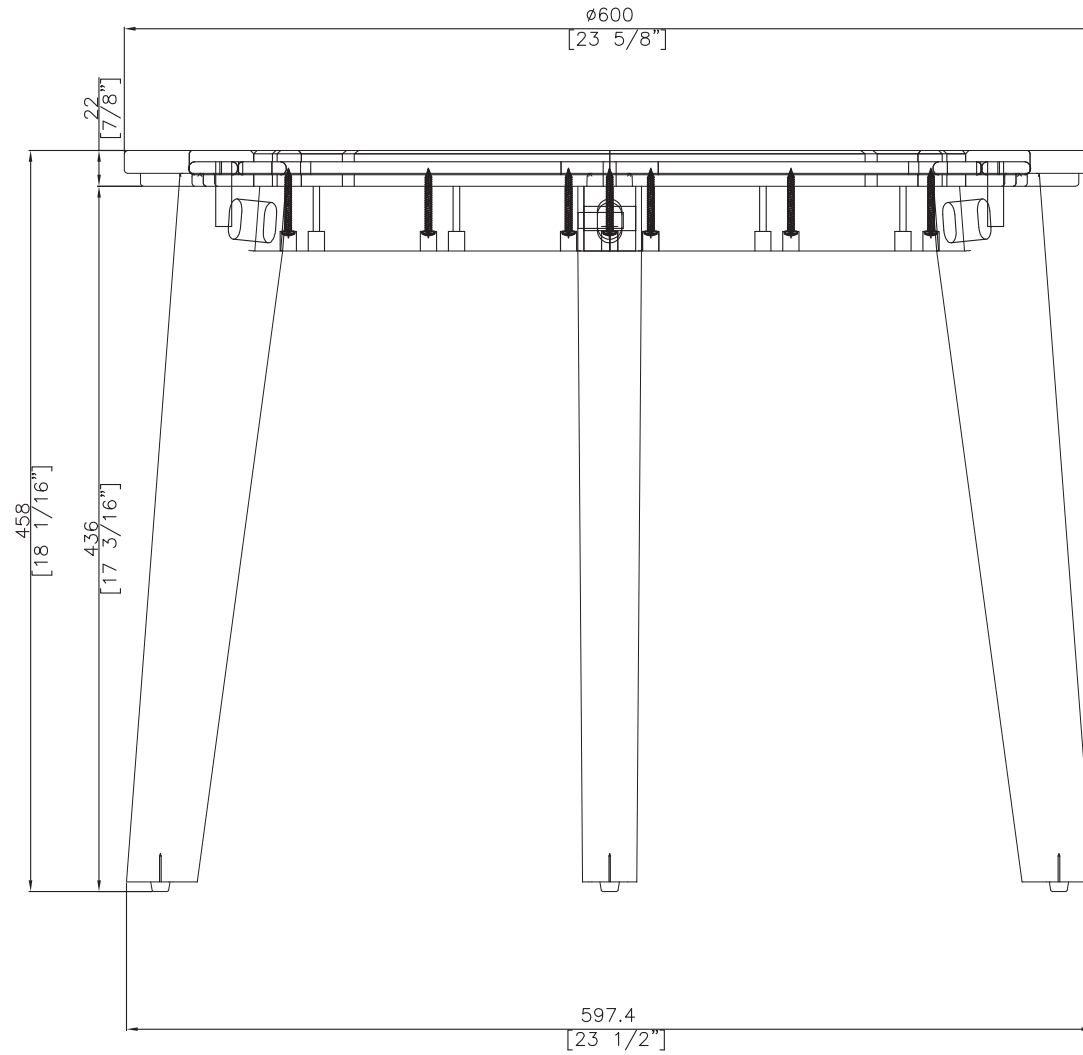


Teak



ISO VIEW





FRONT VIEW

EF

OASIQ

DWG.NO: FAE0A8-60

TITLE : FRONT VIEW

DIM EXT: $\phi 638.3 \times 458$ MM.

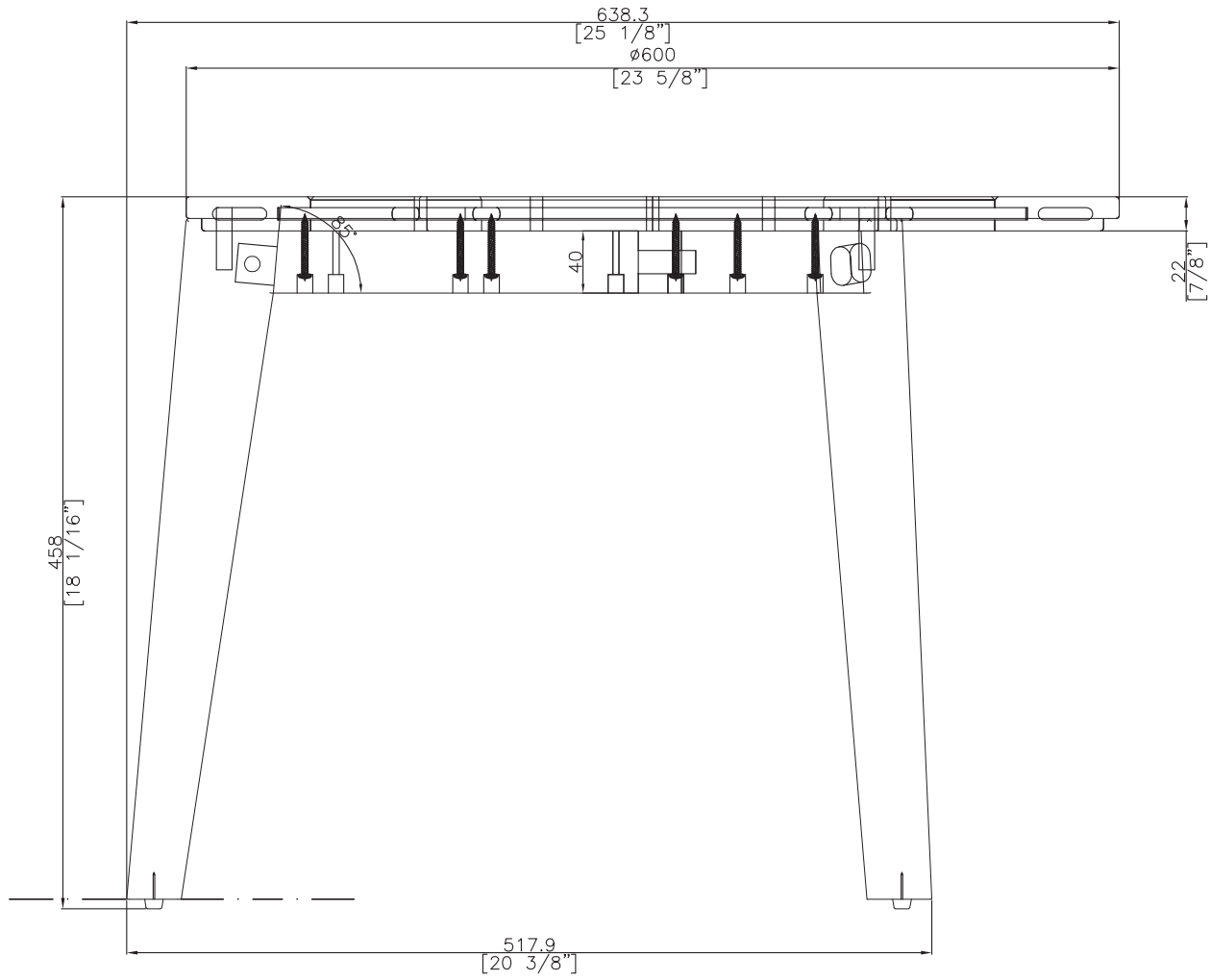
MATERIAL: TEAK

DRAWN BY : Mr.TSAI

FINISH DATE : 28-09-13
 BEGIN DATE : 12-01-13

YUAN
 TSAI
 SCALE : 1:1

P.5



SIDE VIEW

ES

OASIQ

DWG.NO: FAE0A8-60

TITLE : SIDE VIEW

DIM EXT: $\phi 638.3 \times 458$ MM.

MATERIAL: TEAK

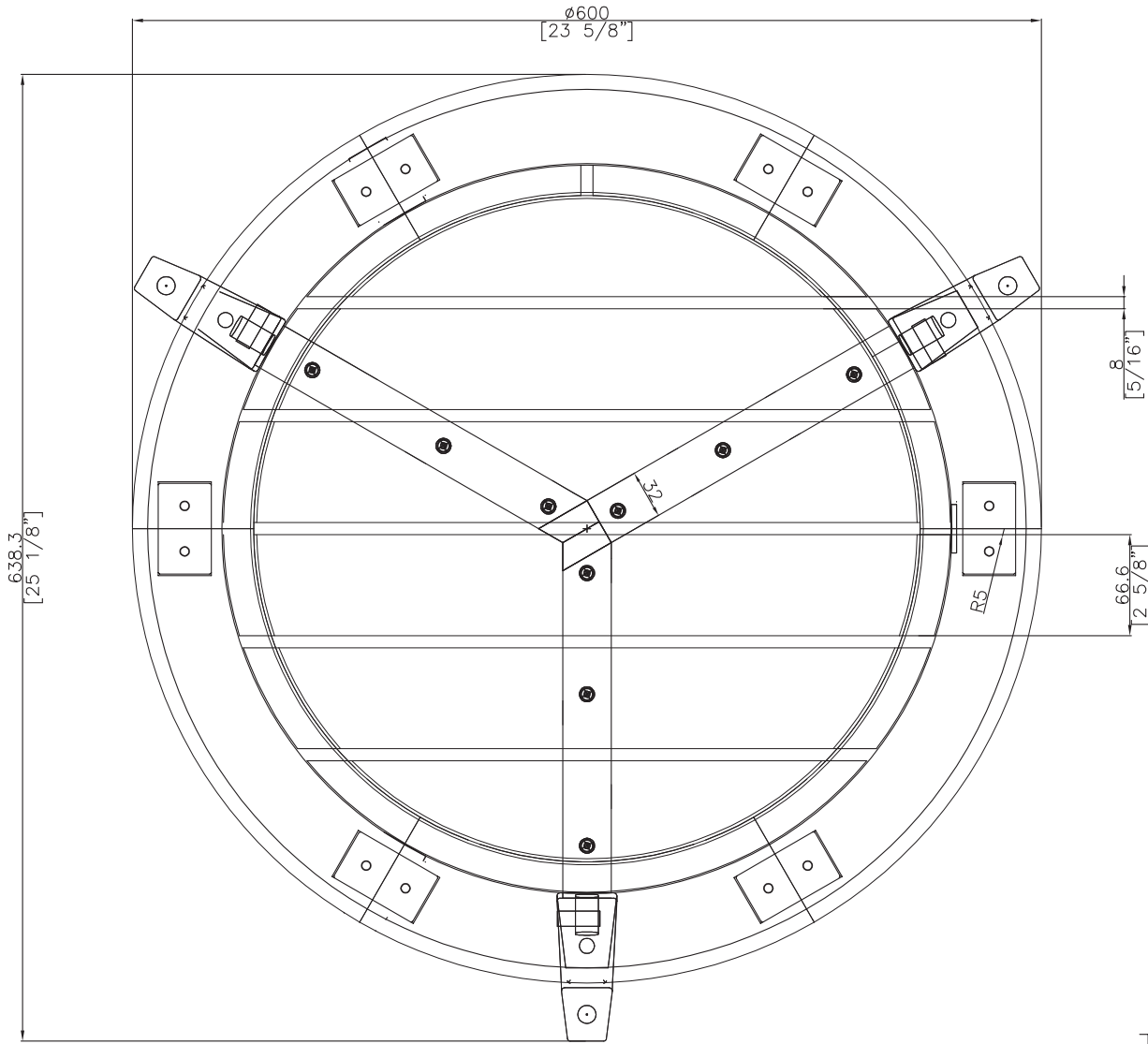
DRAWN BY : Mr.TSAI

FINISH DATE : 28-09-13
 BEGIN DATE : 12-01-13

YUAN
 TSAI

SCALE : 1:1

P. 6



TOP VIEW

ET

OASIQ

DWG.NO: FAE0A8-60

TITLE : TOP VIEW

DIM EXT: $\phi 638.3 \times 458$ MM.

MATERIAL: TEAK

DRAWN BY : Mr.TSAI

FINISH DATE : 28-09-13
 BEGIN DATE : 12-01-13

YUAN
 TSAI
 SCALE : 1:1

P. 4